

# FUME HOODS

## DESIGN

The design of our fume hood line is founded on three basic principals: safety, flexibility and aesthetics.

## SAFETY

Safety should be the number one concern when choosing a fume hood. That is why our hoods are tested and certified in accordance with the Ashrae method of testing performance of laboratory fume hoods.

## FLEXIBILITY

Construction of our fume hood begins with a heavy duty internal framework. This universal framework is the foundation for a variety of standard and optional features.

These features include. . .

- Chemical resistant interiors of resin-chem, PVC or stainless steel
- PVC or stainless sash guides
- Vertical, horizontal or combination sashes in a variety of materials
- Easy access for service fixture installation
- T8 Flourescent light fixture
- Optional factory installation of service fixtures

The flexibility of our design will allow you to select standard options that will meet the requirements of your application.

## AESTHETICS

Our quality, pride and craftsmanship will insure that your NLS Fume Hood will be a handsome center piece in your laboratory for years to come.

## CATALOG

For a complete fume hood catalog contact your local NLS representative or contact us direct at the following address:

**National Laboratory Specialists**

**103 Roundabout Lane**

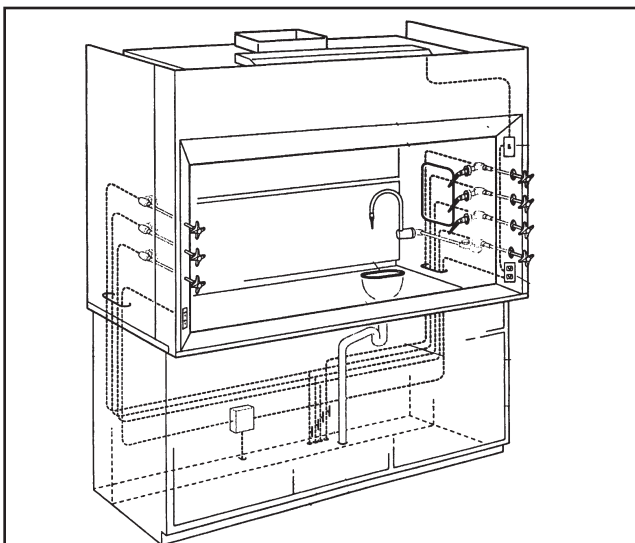
**Huntsville, TX 77320**

**(888) 457-5554**

**PH: (936) 291-1829**

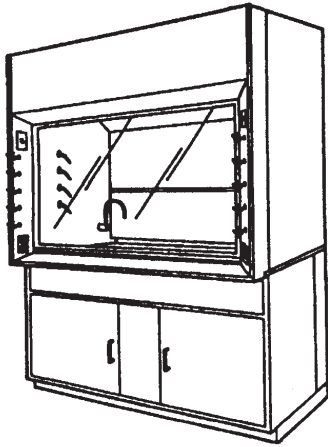
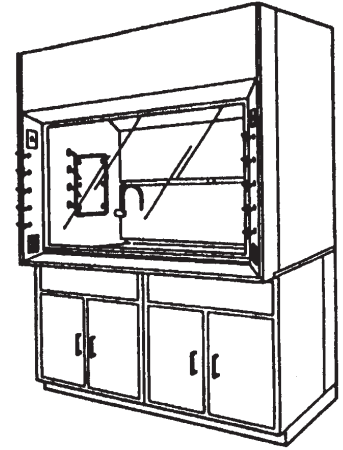
**Fax: (936) 435-9918**

**Web: [www.nationallabspecialists.com](http://www.nationallabspecialists.com)**



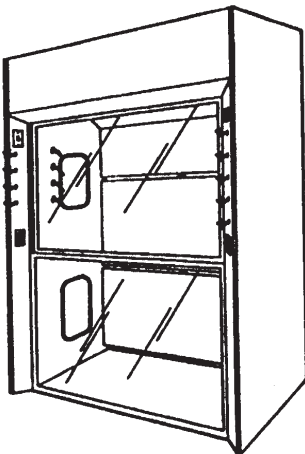
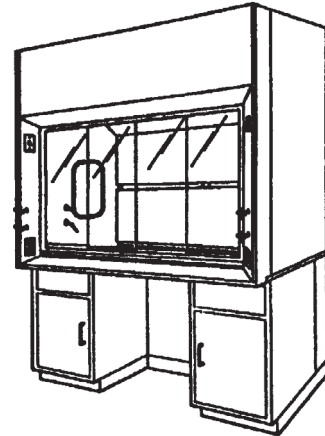
# FUME HOODS

**BYPASS & VARIABLE  
AIR VOLUME (VAV)  
FUME HOODS**



**PERCHLORIC ACID AND  
RADIO-ISOTOPE FUME HOODS**

**ADA FUME HOODS**



**WALK-IN AND SPECIAL  
FUME HOODS**